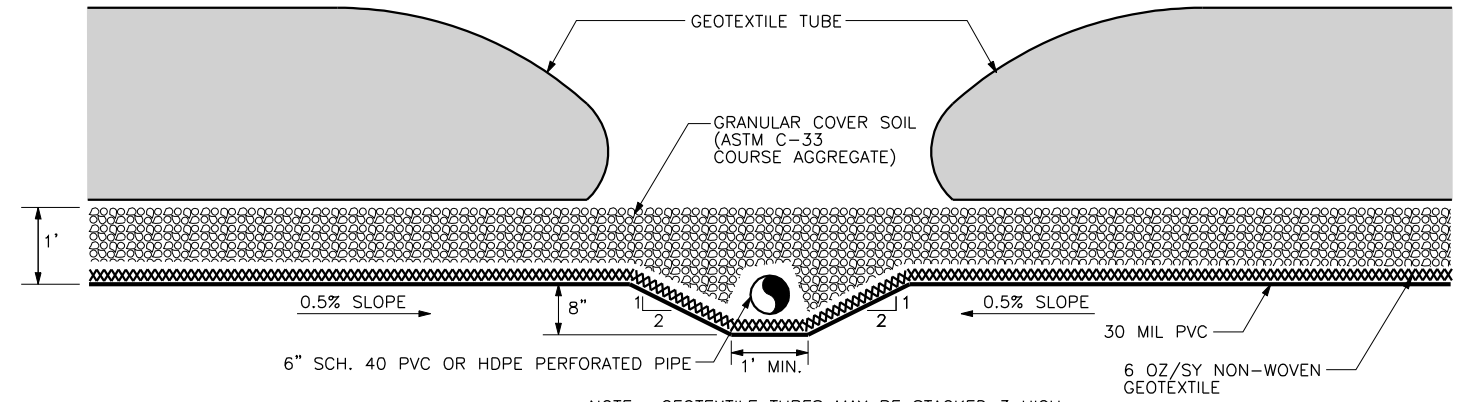
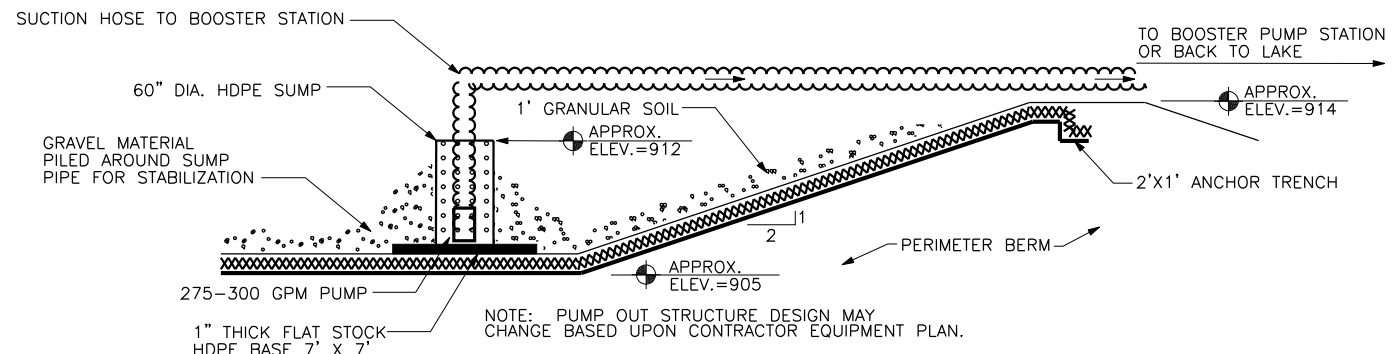


1 DEWATERING PAD LINER CROSS-SECTION
NOT TO SCALE



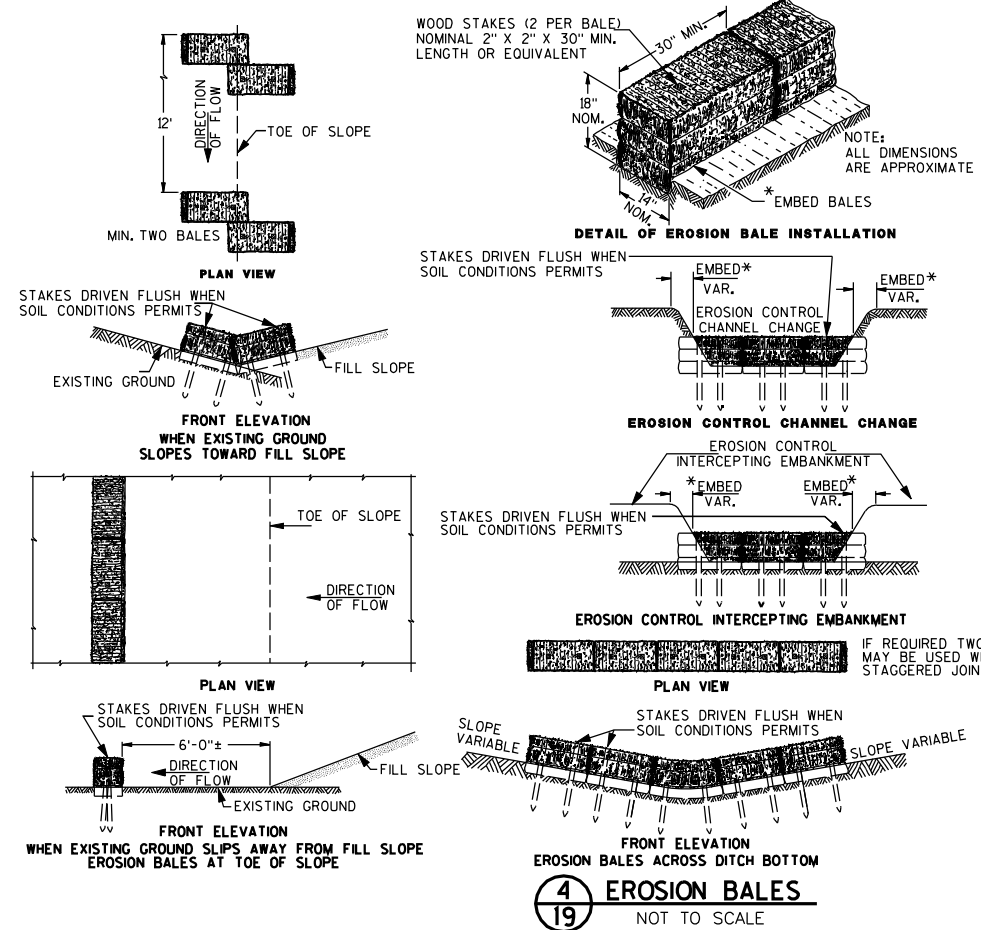
2 PERIMETER COLLECTION PIPE DETAIL
NOT TO SCALE



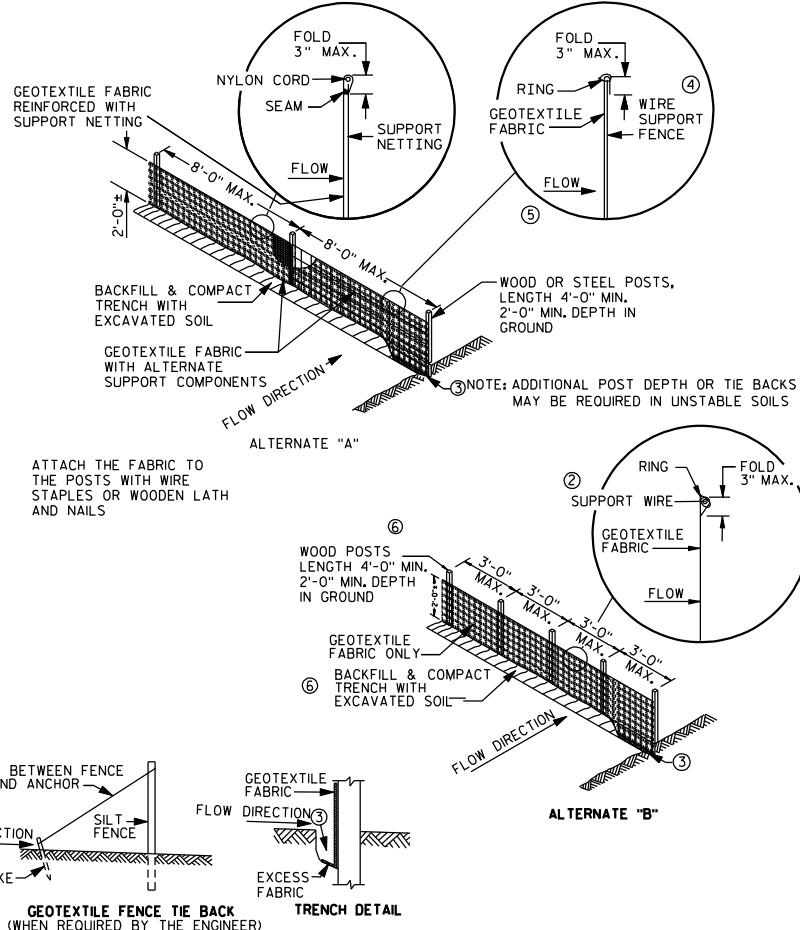
3 SUMP DETAIL
NOT TO SCALE

GENERAL NOTES:

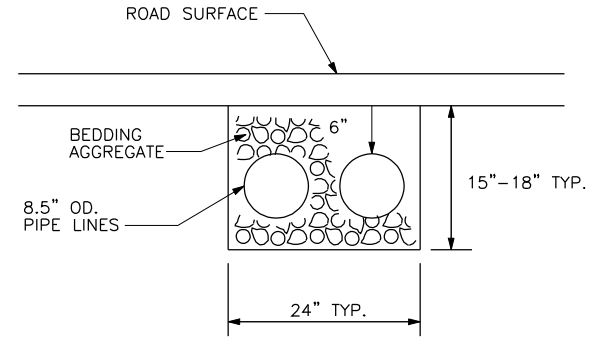
PLACE BALES END TO END OR OVERLAPPING AT RIGHT ANGLES TO THE DIRECTION OF FLOW AND FAR ENOUGH UP THE SIDES OF THE DITCH TO PREVENT ERODING AROUND ENDS.
STAKES TO BE BATTERED IN OPPOSITE DIRECTIONS.



4 EROSION BALES
NOT TO SCALE



5 GEOTEXTILE FENCE
NOT TO SCALE



6 DRIVEWAY CROSSING DETAIL
NOT TO SCALE

Foth
Foth Infrastructure & Environment, LLC

CITY OF DELAFIELD

FIGURE 19
SITE DEVELOPMENT DETAILS
NAGAWICKA LAKE
CHAPTER 30 PERMIT APPLICATION

Scale: NOT TO SCALE	Date: MAY, 2008
Prepared By: JOW	Checked By: JOS1 06D006